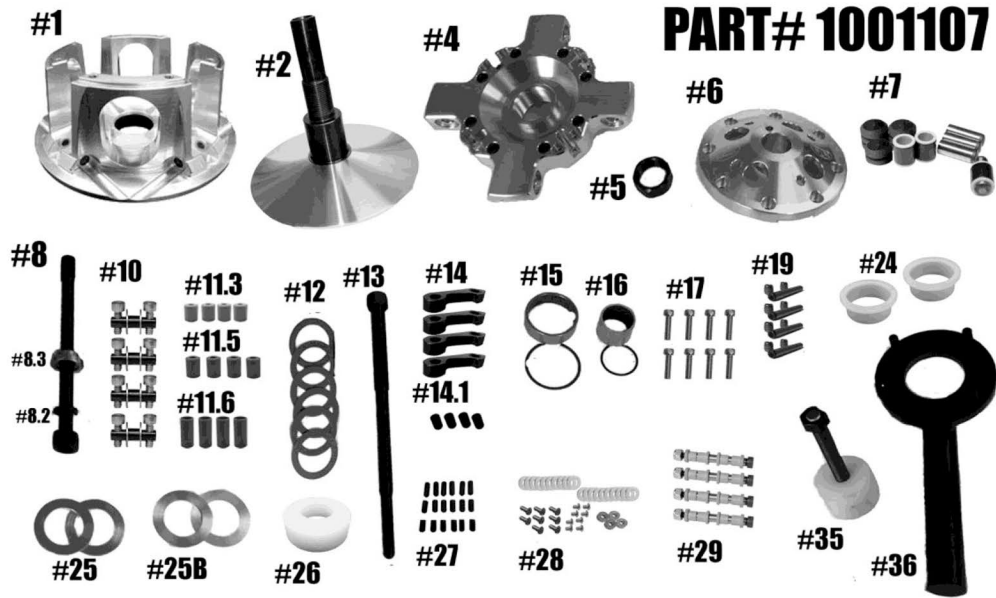


# STM RAGE 8 SCREW-ON 30MM



**PART# 1001107**

QTY	ITEM#	DESCRIPTION	PART#
1	1	SNOWMOBILE PRIMARY RAGE 8 MOVABLE SHEAVE	1001117
1	2	SNOWMOBILE NON-HD PRIMARY FIXED SHEAVE AND POST ASSY	1001088 / 1001083
1	4	RAGE 8 SCREW-ON SPIDER (TORQUE TO 500 FT/LBS)	1001264
1	5	SPIDER NUT RAGE PRIMARY (TORQUE TO 550 FT/LBS)	3001005
1	6	RAGE 8 PRIMARY CLUTCH COVER	1001118
1	7	COMPOSITE ROLLER-BUSHING STYLE PIN ROLLER KIT for RAGE 4 & 8 SPIDER NON-	1001651
1	8, 8.2, 8.3	CLUTCH BOLT, LOCK WASHER & RETAINING WASHER (TORQUE TO 60/75 FT/LBS)	PER APPLICATION
4	10	RAGE 6 & 8 1 <sup>ST</sup> STAGE ARM PIN ASSY.	1001023
1	11.3	RAGE 8 MOVABLE ROLLER .312 (4)	1001040
1	11.5	RAGE 8 MOVABLE ROLLER .500 (4)	1001041
1	11.6	RAGE 8 MOVABLE ROLLER .625 (4)	1001042
6	12	30mm SCREW-ON BLET SHIM .03 THICK	1001403
1	13	PULLER	PER APPLICATION
4	14	1 <sup>ST</sup> STAGE HD M5 ARM	1001024
4	14.1	1 <sup>ST</sup> STAGE ARM BUSHING	1001330
1	15	MOVABLE BUSHING w/ RETAINING CLIP	2610 / VH181
1	16	COVER BUSHING w/ RETAINING CLIP	1810 / VH131
1	17	SNOWMOBILE PRIMARY 4 & 8 ARM COVER SCREW SET	1001095
4	19	PRIMARY 1 <sup>ST</sup> STAGE ROLLER PIN ASSY.	1001028
2	24	TRA SPRING SPACER	1001091
2	25	SCREW-ON SPIDER SHIM .03 THICK	C154445
2	25B	SCREW-ON SPIDER SHIM .06 THICK	C154446
1	26	SPRING SPACER for PS STYLE SPRING for SCREW-ON RAGE PRIMARY CLUTCH	1001092
1	27	RAGE PRIMARY CAM ARM POSITIONING ADJUSTMENT SET SCREW SET	1001094
1	28	1 <sup>ST</sup> STAGE 8 ARM M5 FASTENER KIT	1001006
4	29	CONVERSION PIN KIT - ONLY 1 IS USED	
1001321	5/16" FIXED PIN for .470 WIDE WEIGHT	1001319	5/16" FIXED PIN for .570 WIDE WEIGHT
1001322	5/16" NON-FIXED PIN for .470 WIDE WEIGHT	1001320	5/16" NON-FIXED PIN for .570 WIDE WEIGHT
1001326	8MM YAMAHA PIN for .570 WIDE WEIGHT	1001323	1/4" PIN for .470 WIDE WEIGHT
1	35	SNOWMOBILE & UTV PRIMARY COMPRESSION TOOL 5/8"-18 (SOLD	1001122
1	36	RAGE4 & 8 SPANNER TOOL (SOLD SEPARATELY)	1001032

**\*\*\*Please visit website for item pricing\*\*\***

STM Powersports  
(248)673-8408

9/27/2023