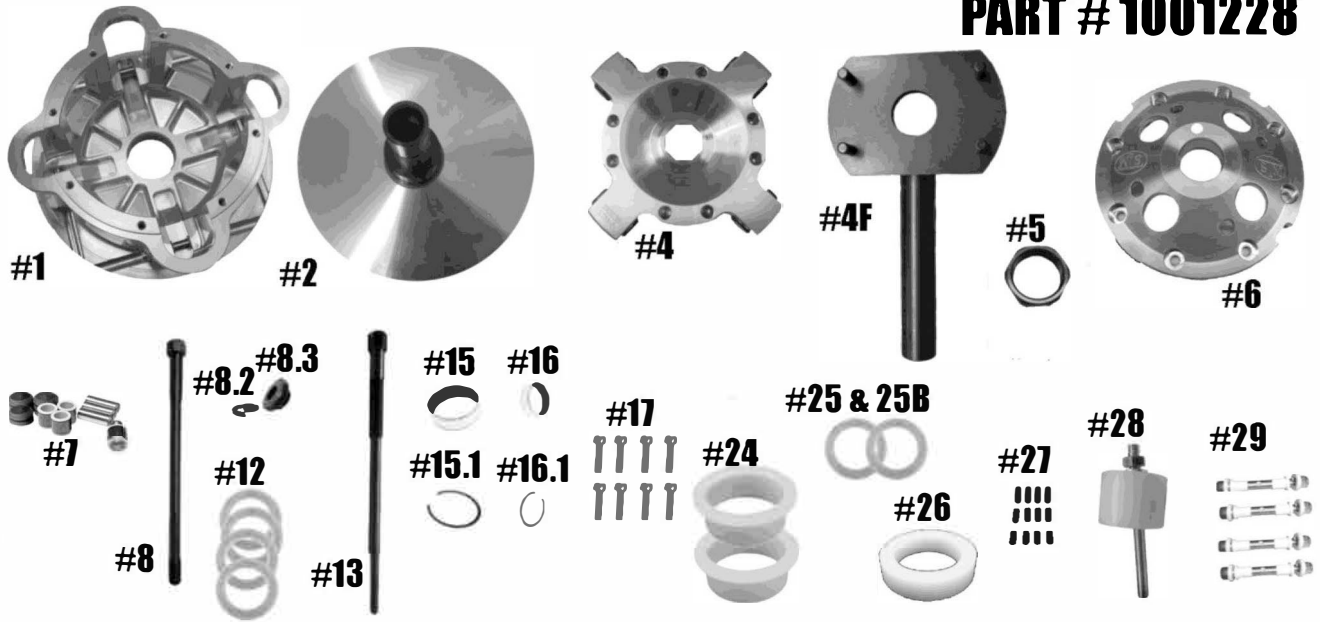


# STM RAGE 4 HD SCREW-ON 35MM

**PART # 1001228**



**Check and make sure you have received all of the components below before proceeding**

ITEM #	PART #	DESCRIPTION	QTY
1	1001136	RAGE 4 HD PRIMARY CLUTCH MOVABLE SHEAVE	1
2	1001165/ 1001226	SNOWMOBILE PRIMARY HD FIXED SHEAVE AND POST ASSY	1
4	1001138	RAGE 4 SCREW-ON HD SPIDER (Torque to 500 ft/lbs)	1
4F	1001069	RAGE 4, 8 & SINGLE-STAGE RAGE 6 HD SPANNER TOOL (Sold Separately)	1
5	3001005	SPIDER NUT RAGE PRIMARY (Torque to 550 fl/lbs)	1
6	1001037	RAGE 4 & 8 LONG BOSS HS PRIMARY CLUTCH COVER	1
7	1001651	COMPOSITE ROLLER-BUSHING STYLE PIN ROLLER KIT for RAGE 4 & 8 SPIDER NON-WIDE	1
8	PER APPLICATION	BOLT	1
8.2	PER APPLICATION	LOCK WASHER	1
8.3	PER APPLICATION	CLUTCH BOLT SPACER	1
12	1001402	BELT SHIM .03 THICK for 1.875" DIAMETER POST	6
13	PER APPLICATION	PULLER (Sold Separately)	1
15	3012.620	MOVABLE BUSHING	1
15.1	VH225	MOVABLE RETAINING CLIP	1
16	1816	COVER BUSHING	1
16.1	VH131	COVER RETAINING CLIP	1
17	1001561	SNOWMOBILE PRIMARY 4 & 8 ARM COVER SCREW (8) (Torque to 105 ft/lbs)	1
24	1001091	TRA SPRING SPACER	2
25	C152994	SCREW-ON HD SPIDER SHIM .03 THICK for 1.875" DIAMETER POST	2
25B	C166597	SCREW-ON HD SPIDER SHIM .06 THICK for 1.875" DIAMETER POST	2
26	1001092	SPRING SPACER for PS STYLE SPRINGS for SCREW-ON RAGE PRIMARY CLUTCH	1
27	1001094	RAGE PRIMARY CAM ARM POSITIONING ADJUSTMENT SET SCREW SET	1
28	1001043	RAGE ATV PRIMARY COMPRESSION TOOL - M14-1.5 (Sold Separately)	1
29	ONLY 1 SIZE IS USED	RAGE PRIMARY CAM ARM PIN CONVERSION OPTIONS	4
	1001321	5/16" FIXED PIN for .470 WIDE WEIGHT	
	1001319	5/16" FIXED PIN for .570 WIDE WEIGHT	
	1001326	8MM YAMAHA PIN for .570 WIDE WEIGHT	
	1001323	1/4" DIAMETER PIN for .470 WIDE WEIGHT	

**\*\*PLEASE VISIT OUR WEBSITE FOR ITEM PRICING\*\***