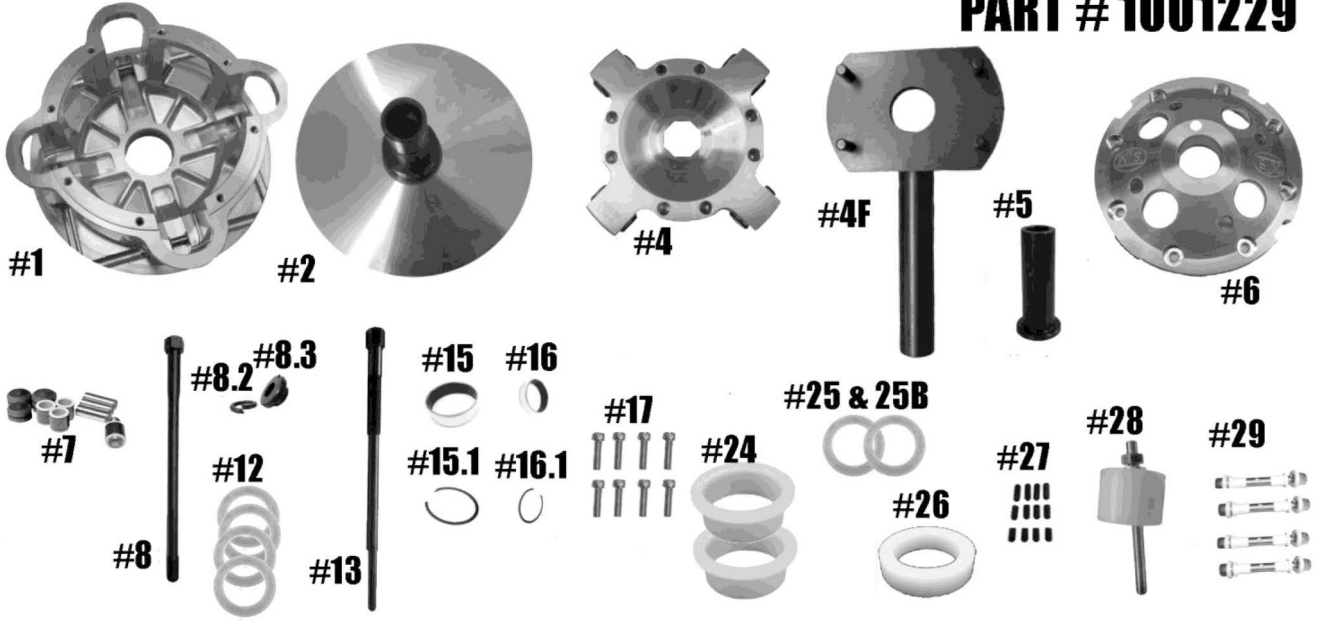


STM RAGE 4 HD QUICK CHANGE 35MM

PART # 1001229



Check and make sure you have received all of the components below before proceeding

ITEM #	PART #	DESCRIPTION	QTY
1	1001136	RAGE 4 HD PRIMARY CLUTCH MOVABLE SHEAVE	1
2	1001165 / 1001121	SNOWMOBILE PRIMARY HD FIXED SHEAVE AND POST ASSY	1
4	1001137	HD RAGE 4 QUICK CHANGE SPIDER	1
4F	1001069	RAGE 4 HD SPANNER TOOL (Sold Separately)	1
5	1001104	SNOWMOBILE PRIMARY QUICK CHANGE SLEEVE HD (Torque to 100 ft./lbs.)	1
6	1001037	RAGE 4 & 8 LONG BOSS HD PRIMARY CLUTCH COVER	1
7	1001651	COMPOSITE ROLLER-BUSHING STYLE PIN ROLLER KIT for RAGE 4 & 8 SPIDER NON-WIDE	1
8	PER APPLICATION	BOLT (Torque to 60 ft./lbs.)	1
8.2	PER APPLICATION	LOCK WASHER	1
8.3	PER APPLICATION	CLUTCH BOLT SPACER	1
12	1001127	35MM HD QUICK CHANGE BELT SHIM .03 THICK	2
	1001128	.35MM HD QUICK CHANGE BELT SHIM .06 THICK	2
13	PER APPLICATION	PULLER (Sold Separately)	1
15	3012.620	MOVABLE BUSHING	1
15.1	VH-225	MOVABLE RETAINING CLIP	1
16	1816	COVER BUSHING	1
16.1	VH131	COVER RETAINING CLIP	1
17	1001561	SNOWMOBILE PRIMARY 4 & 8 ARM COVER SCREW (6) (Torque to 105 ft./lbs.)	1
24	1001091	TRA SPRING BUSHING	2
25	1001133	HD QUICK CHANGE SPIDER SHIM .03 THICK	2
25B	1001134	HD QUICK CHANGE SPIDER SHIM .06 THICK	2
26	1001093	SPRING SPACER for QUICK CHANGE RAGE PRIMARY CLUTCH	1
27	1001094	RAGE PRIMARY CAM ARM POSITIONING ADJUSTMENT SET SCREW SET	1
28	1001022	RAGE ATV PRIMARY COMPRESSION TOOL 3/4"-16 (Sold Separately)	1
29		RAGE PRIMARY CAM ARM PIN CONVERSION OPTIONS	4
	1001321	5/16" FIXED PIN for .470 WIDE WEIGHT	
	1001322	5/16" NON-FIXED PIN for .470 WIDE WEIGHT	
	1001319	5/16" FIXED PIN for .570 WIDE WEIGHT	
	1001320	5/16" NON-FIXED PIN for .570 WIDE WEIGHT	
	1001323	1/4" PIN for .470 WIDE WEIGHT	
	1001326	8MM YAMAHA for .570 WIDE WEIGHT	

****PLEASE VISIT WEBSITE FOR ITEM PRICING****