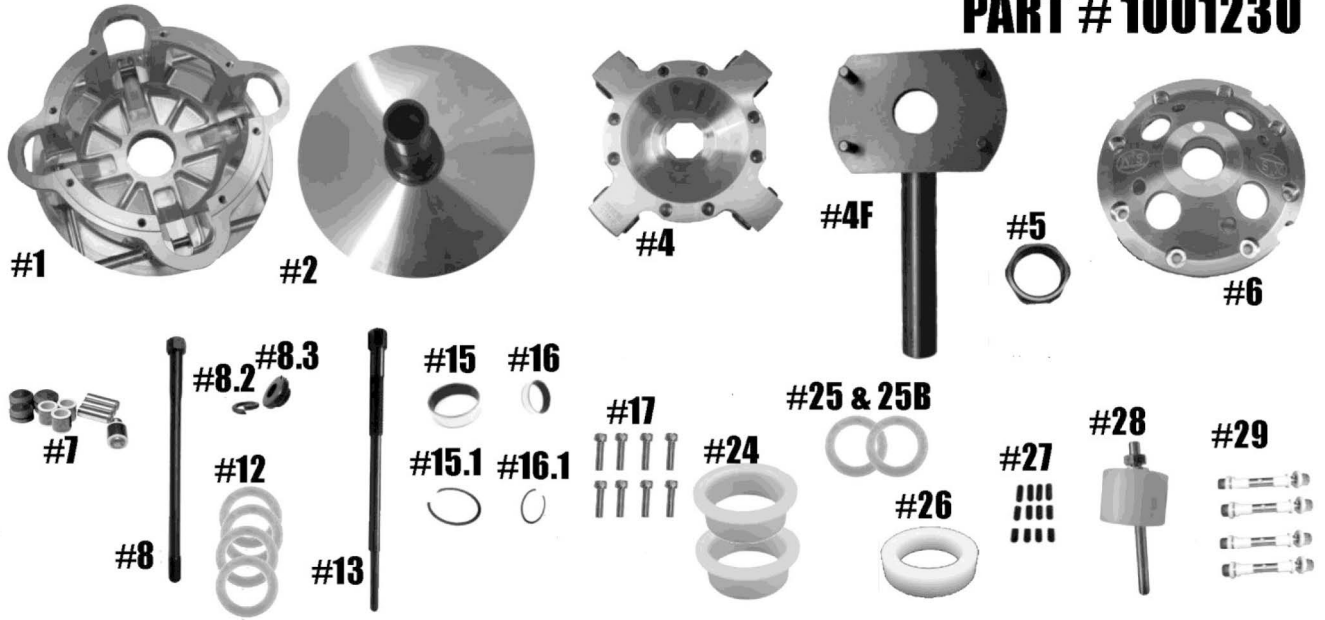


STM RAGE 4 HD SCREW-ON 30MM

PART # 1001230



Check and make sure you have received all of the components below before proceeding

ITEM #	PART #	DESCRIPTION	QTY
1	1001249	RAGE 4 HD PRIMARY MOVABLE SHEAVE	1
2	1001336 / 1001366	RAGE 4 HD FIXED SHEAVE AND POST ASSEMBLY	1
4	1001138	RAGE 4 SCREW-ON HD SPIDER (Torque to 500 ft./lbs.)	1
4F	1001069	RAGE 4, 8 & SINGLE-STAGE RAGE 6 HD SPANNER TOOL (Sold Separately)	1
5	3001005	SPIDER NUT RAGE PRIMARY (Torque to 550 ft./lbs.)	1
6	1001037	RAGE 4 & 8 LONG BOSS HD PRIMARY COVER	1
7	1001651	COMPOSITE ROLLER-BUSHING STYLE PIN ROLLER KIT for RAGE 4 & 8 SPIDER NON-WIDE .610 ROLLER	1
8	PER APPLICATION	BOLT (Torque to 60 ft./lbs.)	1
8.2, 8.3	PER APPLICATION	LOCK WASHER & CLUTCH BOLT SPACER	1
12	1001402	BELT SHIM .03 THICK for 1.875" DIAMETER POST	4
13	PER APPLICATION	PULLER	1
15	3012.62	MOVABLE BUSHING	1
15.1	VH225	MOVABLE RETAINING CLIP	1
16	1810	COVER BUSHING	1
16.1	VH131	COVER RETAINING CLIP	1
17	1001561	SNOWMOBILE PRIMARY 4 & 8 ARM COVER SCREW SET (Torque to 125 in./lbs.)	1
24	1001091	TRA SPRING BUSHING	2
25	C152994	SCREW-ON HD SPIDER SHIM .03 THICK for 1.875" DIAMETER POST	2
25B	C166597	SCREW-ON HD SPIDER SHIM .06 THICK for 1.875" DIAMETER POST	2
26	1001092	SPRING SPACER for PS STYLE SPRINGS for SCREW-ON RAGE PRIMARY CLUTCH	1
27	1001094	RAGE PRIMARY CAM ARM POSITIONING ADJUSTMENT SET SCREW SET	1
28	1001122	RAGE SNOWMOBILE & UTV PRIMARY COMPRESSION TOOL 5/8"-18 (Sold Separately)	1
29	HIGHLIGHTED IS USED	CAM ARM PIN CONVERSION OPTIONS	4
	1001321	5/16" FIXED PIN for .470 WIDE WEIGHT	
	1001319	5/16" FIXED PIN for .570 WIDE WEIGHT	
	1001326	8MM YAMAHA PIN for .570 WIDE WEIGHT	
	1001322	5/16" NON-FIXED PIN for .470 WIDE WEIGHT	
	1001320	5/16" NON-FIXED PIN for .570 WIDE WEIGHT	

****PLEASE VISIT WEBSITE FOR ITEM PRICING****

STM Powersports
(248) 673-8408

www.stmpowersports.com

9/25/2023