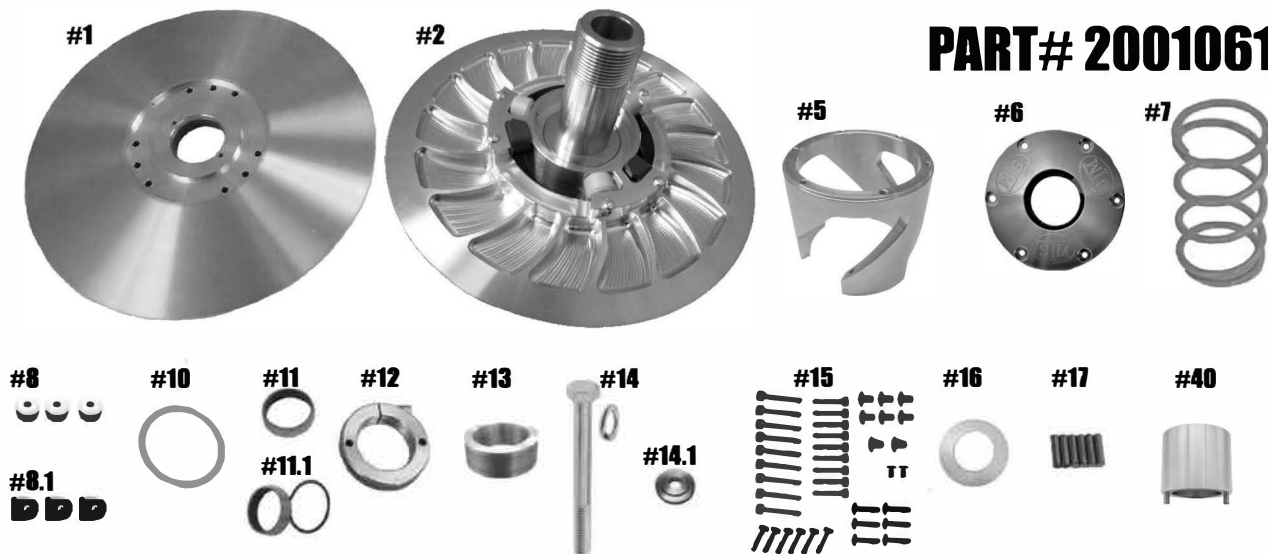


# STM POWERSPORTS TUNER

## APEX - Z1 RZR 800 CONVERSION

**PART# 2001061**



QTY	ITEM#	DESCRIPTION	PART #
1	1	MOVABLE SHEAVE	2001062
1	2	FIXED SHEAVE & POST	2001063/2001064
1	5	HELIX	HXATV
1	6	COVER	1001067
1	7	KSS STYLE SPRING	PER APPLICATION
3	8	ROLLER	1001047
3	8.1	BUTTON	1001048
1	10	SPRING WASHER	1001049
1	11	MOVABLE BUSHING	2408
1	11.1	COVER BUSHING w/ VH175 RETAINING CLIP	2408
1	12	ADJUSTMENT NUT	1001059
1	13	RESISTANCE SPACER	2001066
1	14	RETAINING BOLT & LOCK WASHER (M8x1.25x130mm HHCS)	1001616
1	14.1	RETAINING BOLT WASHER	2001065
1	15	TUNER FASTENER KIT	1001034
1	16	ADJUSTMENT NUT THRUST WASHER	1001060
6	17	¼" x 1" PULL DOWEL	¼"x1"PD
1	40	ADJUSTMENT NUT SOCKET	1001064
1	NOT SHOWN	OPTIONAL -TORSIONAL CONVERSION	1001080

**\*\*\* Please visit website for item pricing \*\*\***

*STM Powersports*  
(248) 673-8408

[www.stmpowersports.com](http://www.stmpowersports.com)

1/24/2023