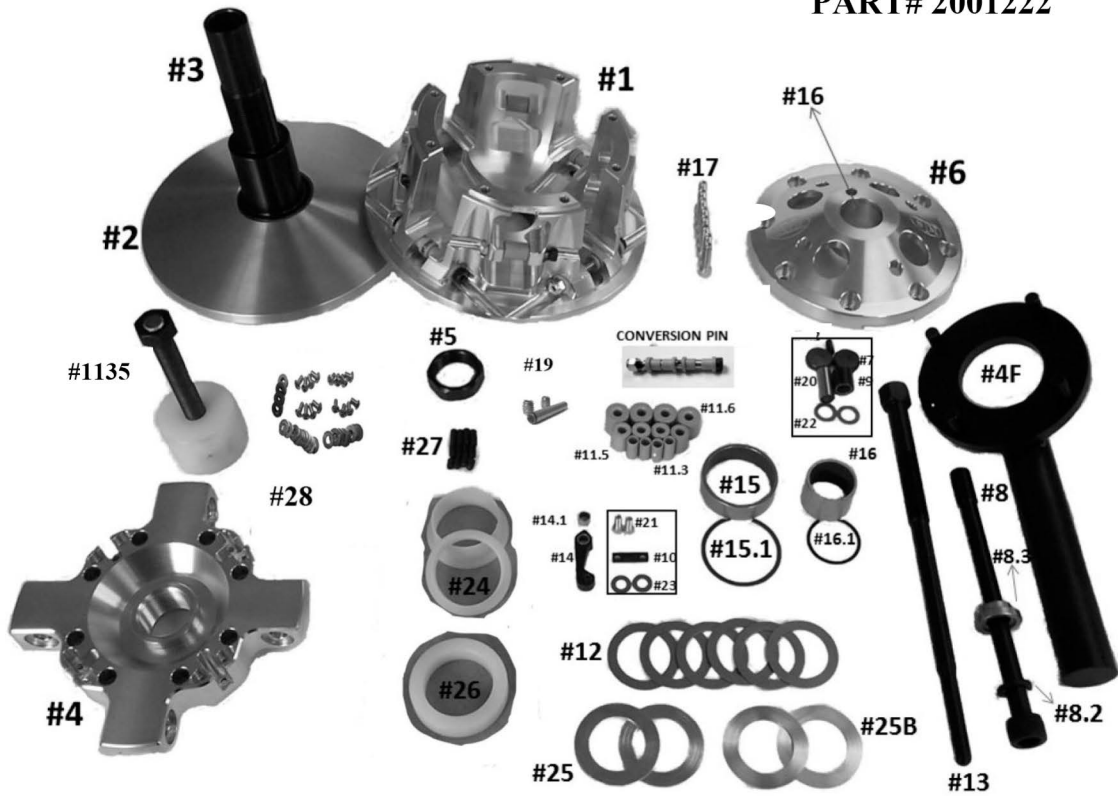


# STM RAGE 8 XP-900 WIDE BELT CONVERSION PRIMARY

PART# 2001222



QTY	ITEM#	DESCRIPTION	PART#
1	1	RAGE 8 MOVABLE SHEAVE	1001117
1	2,3	FIXED SHEAVE & POST ASSY.	2001107/2001083
1	4	SPIDER (Torque to 500 ft/lbs.)	1001264
1	5	SPIDER NUT (Torque to 550 ft/lbs.)	3001005
1	6	COVER	1001118
1	7,9,20,22	SPIDER PIN-ROLLER KIT	1001547
1	28	FIRST STAGE FASTENER KIT	1001006
1	8	CLUTCH BOLT	1001261
1	8.2	CLUTCH BOLT LOCK WASHER	M14 HI-LOC
1	8.3	CLUTCH BOLT RETAINING WASHER	1001396
4	10,21,23	FIRST STAGE PIN ASSY.	1001023
1	11.3	MOVABLE ROLLER .312 SET	1001040
1	11.5	MOVABLE ROLLER .500 SET	1001041
1	11.6	MOVABLE ROLLER .625 SET	1001042
6	12	.030 BELT SHIM	1001403
1	13	PULLER	1001189
4	14	FIRST STAGE CAM ARMS HD	1001024

QTY	ITEM#	DESCRIPTION	PART#
4	14.1	FIRST STAGE CAM ARM BUSHING	1001330
1	15,15.1	MOVABLE BUSHING & RETAINING CLIP	2610
1	16,16.1	COVER BUSHING & RETAINING CLIP	1810
1	17	COVER SCREW SET	1001095
4	19	MOVABLE ROLLER PIN ASSY.	1001028
2	24	TRA SPRING BUSHING	1001091
2	25	.030 SPIDER SHIM	C154445
2	25B	.060 SPIDER SHIM	C154446
1	26	SPRING SPACER	1001092
1	27	MOVABLE SHEAVE SET SCREW KIT	1001094
1	1135	COMPRESSION TOOL 5/8"-18 (SOLD SEPARATELY)	1001122
1	4F	SPANNER TOOL (SOLD SEPARATELY))	1001032
4		CONVERSION PIN OPTIONS	
		5/16" FIXED PIN .470 WIDE WEIGHT	1001321
		5/16" FIXED PIN .570 WIDE WEIGHT	1001319
		5/16" NON-FIXED PIN .470 WIDE WEIGHT	1001322
		5/16" NON-FIXED PIN .570 WIDE WEIGHT	1001320

\*\*\*Please visit website for item pricing\*\*\*

STM Powersports

(248) 673-8408

[www.stmpowersports.com](http://www.stmpowersports.com)

3/30/2022