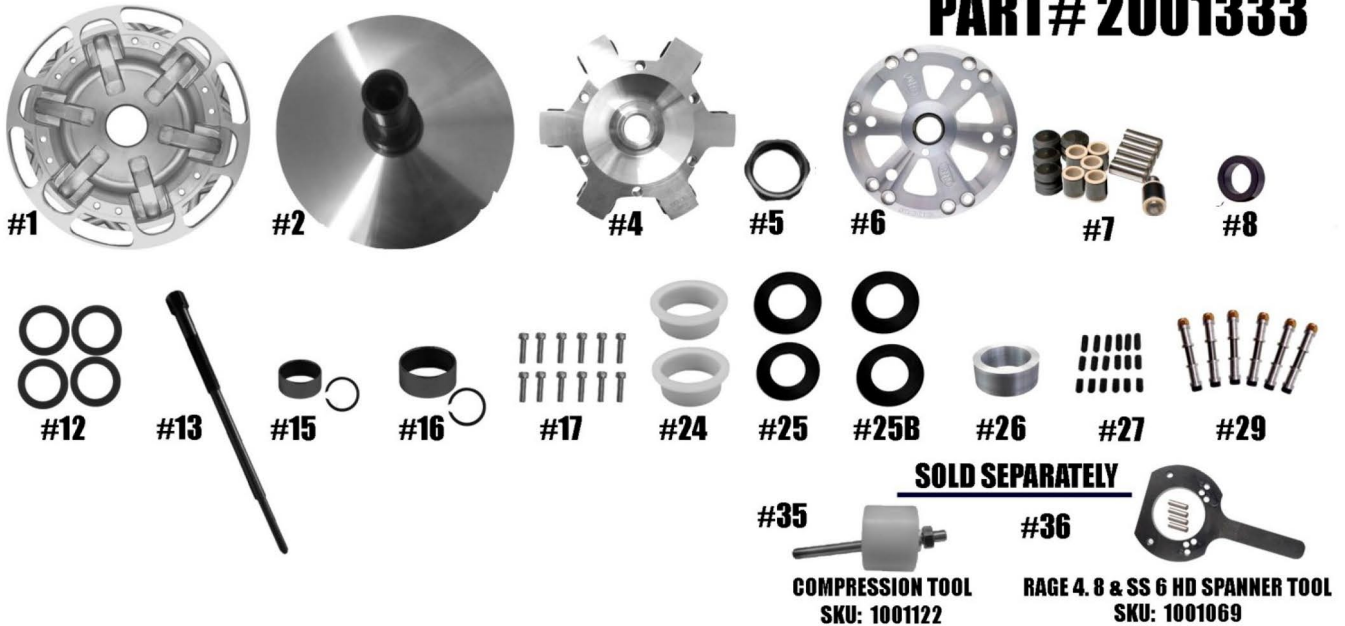


STM SINGLE STAGE NON-BEARING RAGE 6 HD POLARIS

PRO R – 4 CYL PRIMARY

PART# 2001333



SOLD SEPARATELY

#35
COMPRESSION TOOL
SKU: 1001122

#36
RAGE 4, 8 & SS 6 HD SPANNER TOOL
SKU: 1001069

ITEM #	PART #	DESCRIPTION	QTY
1	2001332	PRO R 4-CYL SINGLE-STAGE 6 (6 ARM) HD MOVABLE SHEAVE	1
2	2001331	PRO R HD PRIMARY FIXED SHEAVE AND POST ASSY - NON-BEARING for 4 CYL	1
4	1001139	RAGE 6 SNOWMOBILE SINGLE-STAGE SCREW-ON HD SPIDER (Torque to 500 ft./lbs.)	1
5	3001005	SPIDER NUT RAGE PRIMARY (Torque to 550 ft./lbs.)	1
6	1001142	SINGLE-STAGE RAGE 6 HD SNOWMOBILE PRIMARY COVER	1
7	1001668	SINGLE-STAGE RAGE 6 COMPOSITE .610 ROLLER-BUSHING STYLE PIN-ROLLER KIT	1
8	2001307	PRO R STM PRIMARY CLUTCH RETAINING WASHER USED W/ OEM FACTORY BOLT (TORQUE BOLT to 130 ft./lbs.)	1
12	1001402	BELT SHIM .03 THICK FOR 1.875" DIA. POST	4
13	1001348	PRIMARY PULLER FOR PRO R 4 CYL - 5/8-18	1
15	3012.620 / VH206	MOVABLE BUSHING W/ RETAINING CLIP	1
16	1816 / VH131	COVER BUSHING W/ RETAINING CLIP	1
17	1001221	SINGLE-STAGE RAGE 6 COVER SCREW SET (12)	1
24	1001091	TRA SPRING SPACER	2
25	C152994	SCREW-ON HD SPIDER SHIM.03 THICK FOR 1.875" DIA. POST	2
25B	C166597	SCREW-ON HD SPIDER SHIM.06 THICK FOR 1.875" DIA POST	2
26	1001092-AL	SPRING SPACER FOR PS STYLE SPRINGS FOR SCREW-ON STM RAGE PRIMARY	1
27	1001227	RAGE PRIMARY SINGLE-STAGE RAGE 6 CAM ARM POSITIONING ADJUSTMENT SET SCREW SET	1
29	ONLY 1 SIZE IS USED	CONVERSION PIN OPTIONS	6
	1001321	CAM ARM PIN CONVERSION 5/16" FIXED PIN for .470 WIDE WEIGHT	
	1001319	CAM ARM PIN CONVERSION 5/16" FIXED PIN for .570 WIDE WEIGHT	
	1001322	CAM ARM PIN CONVERSION 5/16" NON-FIXED PIN for .470 WIDE WEIGHT	
	1001320	CAM ARM PIN CONVERSION 5/16" NON-FIXED PIN for .570 WIDE WEIGHT	
	1001326	CAM ARM PIN CONVERSION 8MM YAMAHA PIN	
35	1001122	RAGE SNOWMOBILE & UTV PRIMARY COMPRESSION TOOL (Sold Separately) - 5/8-18	1
36	1001069	RAGE 4, 8 & SINGLE-STAGE 6 HD SPANNER TOOL (Sold Separately)	1

**** Please visit our website for item pricing. ****

STM Powersports
(248) 673-8408

www.stmpowersports.com

8/25/2023