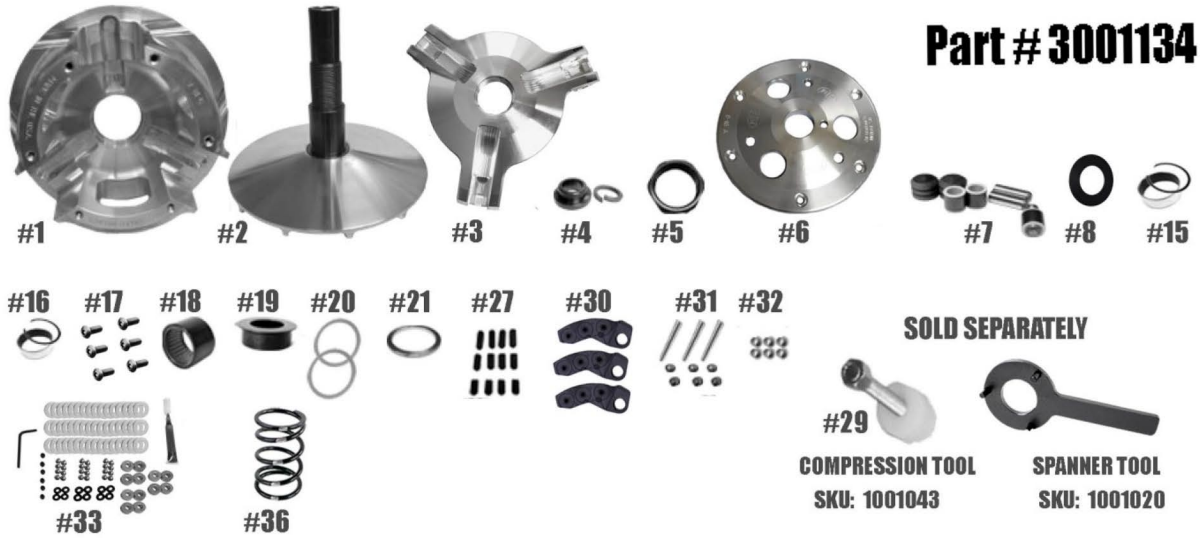


STM RAGE 3WCP Can-Am Defender

Primary

Part # 3001134



ITEM#	PART #	DESCRIPTION		QTY
1	3001120	RAGE 3WCP PRIMARY WIDE CAPTURE PIN MOVABLE SHEAVE		1
2	3001054 / 3001053	PRIMARY FIXED SHEAVE AND POST ASSY		1
3	1001572	RAGE 3 WIDE SPIDER (Torque to 500 ft./lb.)		1
4	3001023	PRIMARY CLUTCH RETAINING WASHER & LOCK WASHER FOR .750 POST END BORE		1
5	3001005	SPIDER NUT RAGE PRIMARY (Torque to 550 ft./lb.)		1
6	1001571	RAGE 3 WIDE PRIMARY COVER		1
7	1001642	3 ARM WIDE SPIDER KIT W/COMPOSITE ROLLER BUSHINGS .610 ROLLERS		1
8	1001204	ATV SPIDER SHIM .060		1
15	1001004 / VH225	MOVABLE BUSHING W/RETAINING CLIP		1
16	1810.590 / VH131	COVER BUSHING W/ RETAINING CLIP		1
17	1001018	ATV RAGE 3 & 6 PRIMARY COVER SCREW SET (torque to 105 in/lb.)		1
18	1001000	SLEEVED 2-WAY BEARING 47mm		1
19	3001057	SLEEVED 2-WAY BEARING CAP		1
20	1001019	ATV PRIMARY BEARING CLUTCH THRUST WASHER		2
21	1001276	PRIMARY SPRING SPACER .125 SHIM		1
27	1001094	RAGE PRIMARY CAM ARM POSITIONING ADJUSTMENT SET SCREW SET		1
29	1001043	COMPRESSION TOOL M14-1.5 (SOLD SEPARATELY)		1
30	50 GRAM BASE -2001151	OR	60 GRAM BASE - 2001245	ATV/UTV SUPERTIP CAM ARM - AFP STYLE
	50 GRAM BASE -1001585	OR	60 GRAM BASE - 1001584	CAM ARM - HB SERIES
31	1001594	CAM ARM PIN & SET SCREW SET (CAPTURED)		3
32	1001588	CAM ARM BUSHING SET (2)		3
33	30FK3HD	3 ARM SUPERTIP HEAVY DUTY FASTENER KIT		1
36	PATV	PATV PRIMARY SPRING		1

*** Please visit website for item pricing ***

STM Powersports

(248) 673-8408

www.stmpowersports.com

7/13/2023